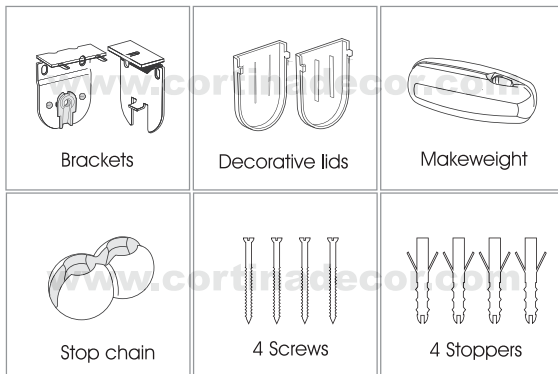
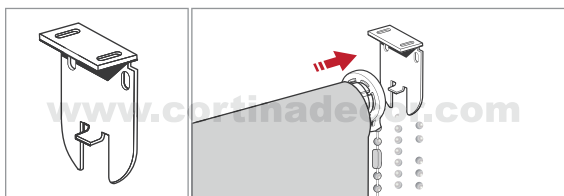


**1 UNPACKING AND CHECK PARTS**



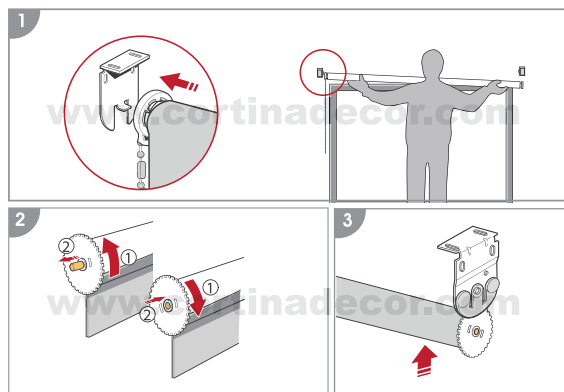
**3 FIRST BRACKET: MARK, DRILL AND SET**

The first bracket that should be placed is the one of the flange, which corresponds to the roller blind end where the small chain is situated.



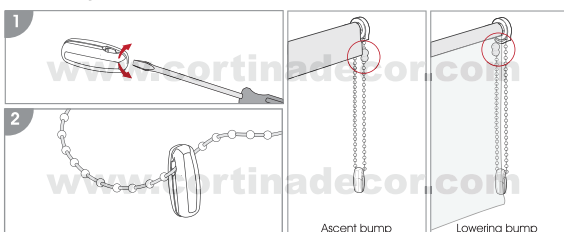
**5 SET THE ROLLER BLIND**

Once the brackets have been placed introduce the end of the small chain in the flange, then introduce the extreme of the retractil tip until a "CLICK" be heard.



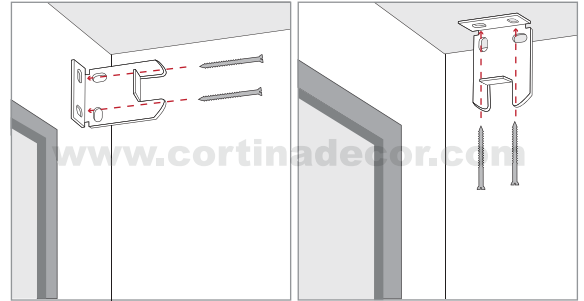
**7 PLACE THE COUNTERWEIGHT AND THE CHAIN STOPS**

Separate the two halves that divides the piece crosswise. Introduce the small chain in the hole and insert the piece again. Finally adjust the stops to delimit the rise and fall of the rolling blind.



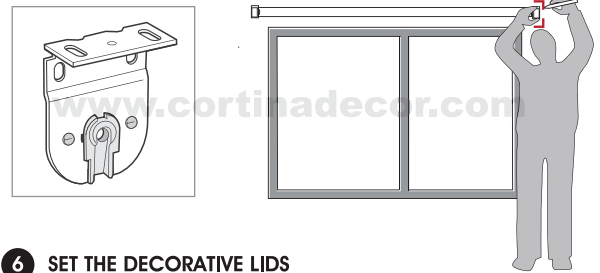
**2 PLACE THE BRACKETS**

The brackets can be placed to the wall or ceiling.



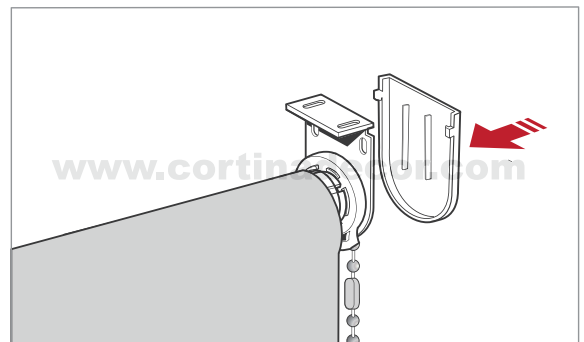
**4 SECOND BRACKET: MARK, DRILL AND SET**

Adjust the roller blind to the first bracket already placed, and calculate the place where the second bracket will be located, drill the holes and set it.



**6 SET THE DECORATIVE LIDS**

Situate the decorative lids\* in the external part of the brackets and pressure gently for remain it properly attached.



\*Aries Steel brackets don't have decorative lids.



View our product installation videos.

www.cortinadecor.com

